






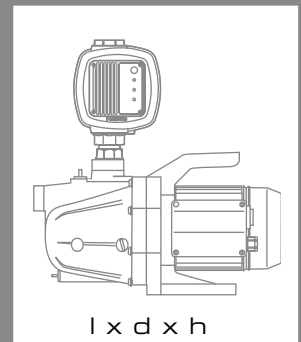





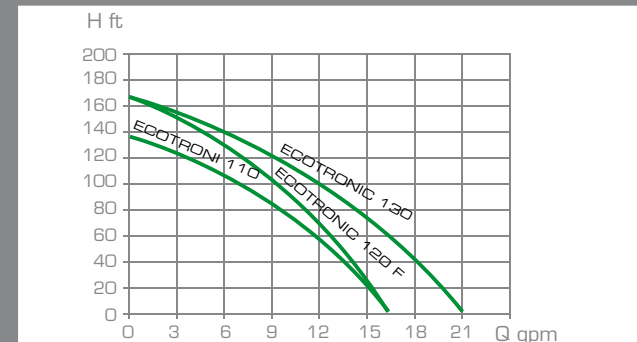
### ECOTRONIC


							
110	800-1/2	138	16	29	3	27/63	1"
120 F*	1000-3/4	164	16	29	4	27/73	1"
130	1250-1	164	16	29	5	27/73	1"










l x d x h

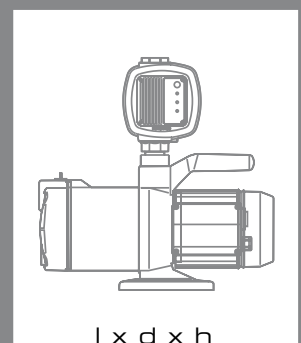
		
16.3x9.3x15	19	28
16.3x9.3x15	24	28
16.3x9.3x15	27	28








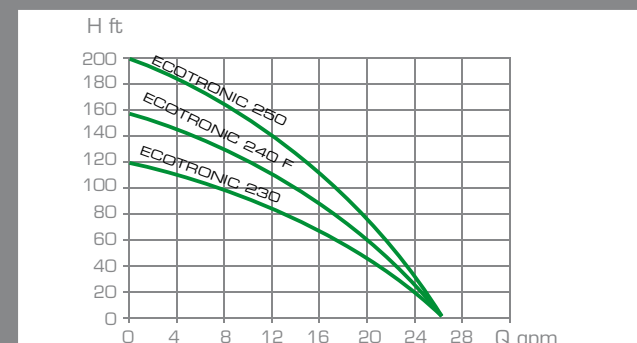
### ECOTRONIC

							
230	800-1/2	118	27	26	3	27/52	1"
240 F*	1000-3/4	157	27	26	4	27/73	1"
250	1250-1	197	27	26	5	27/86	1"




l x d x h








		
14.6x9.1x15.2	21	28
15.4x9.1x15.2	26	28
16.5x9.1x15.2	29	28

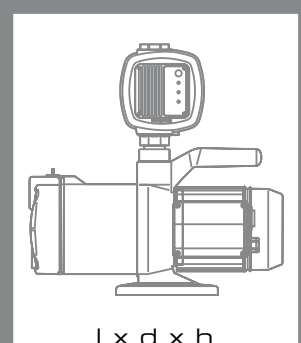


\* equipped with water filter






### INOXTRONIC

							
230	800-1/2	118	27	26	3	27/52	1"
240	1000-3/4	157	27	26	4	27/73	1"
250	1250-1	197	27	26	5	27/86	1"



l x d x h

		
14.6x9.1x15.2	21	28
15.4x9.1x15.2	25	28
16.5x9.1x15.2	29	28

